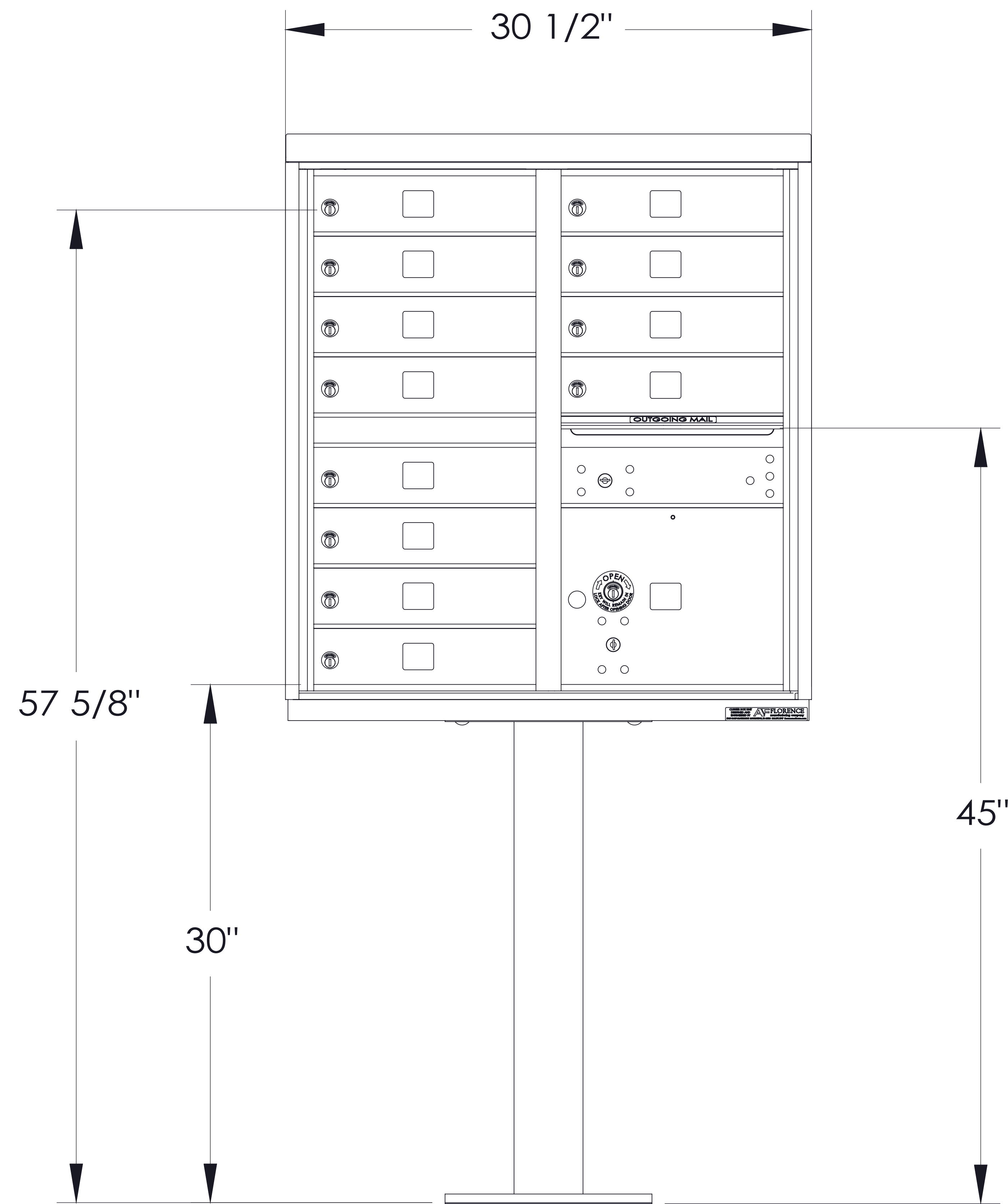
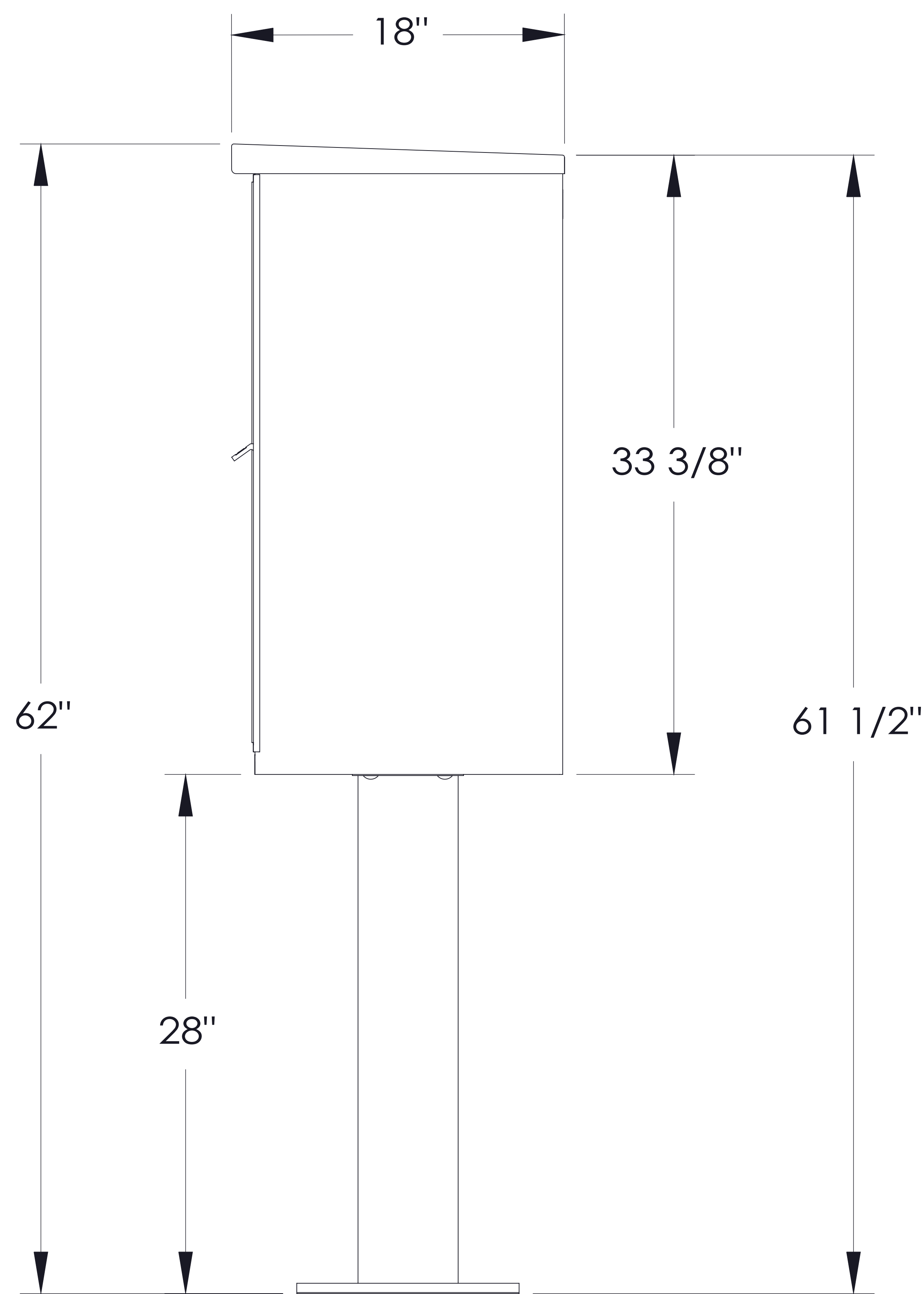


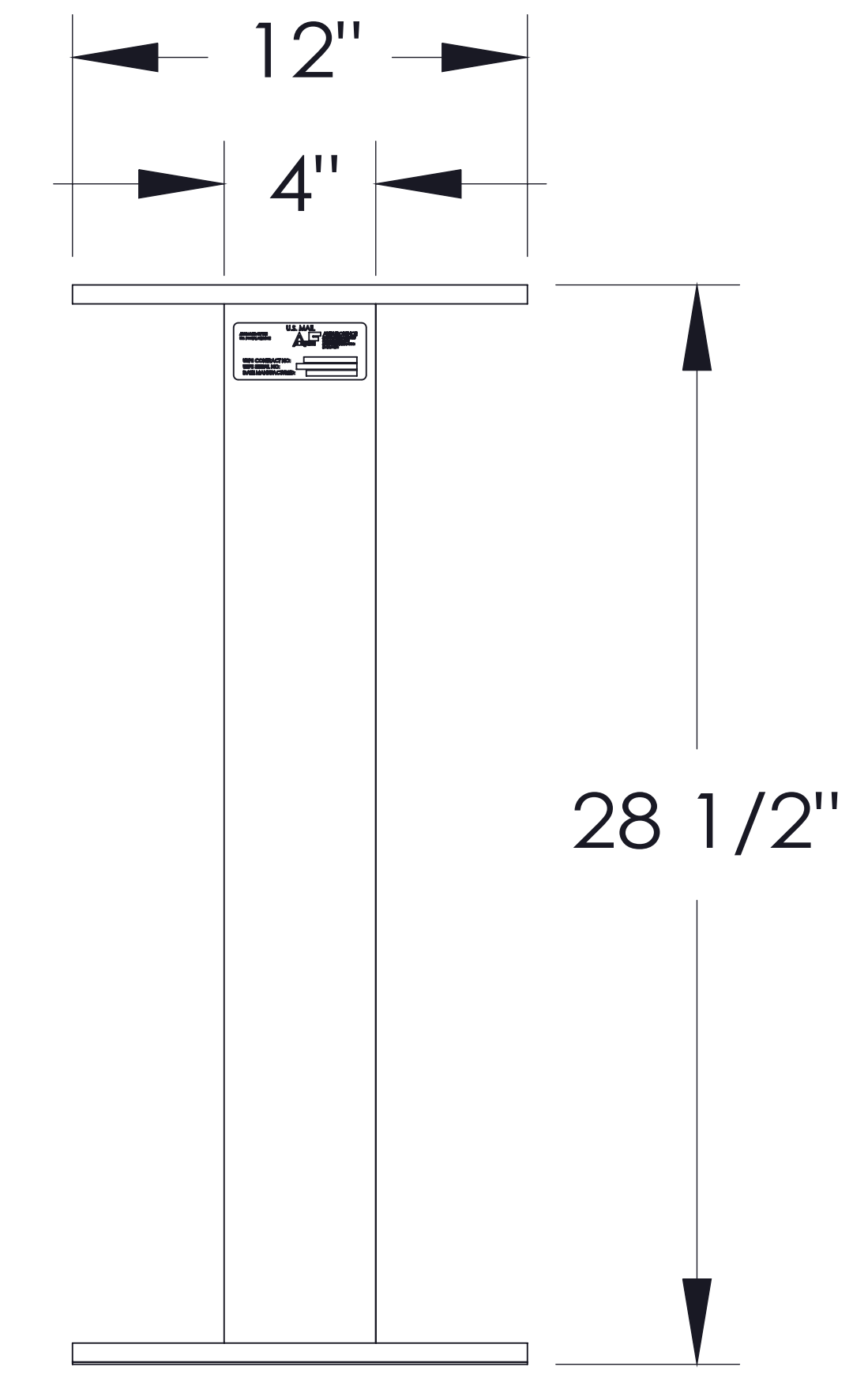
vital™ Cluster Box Unit - Type II



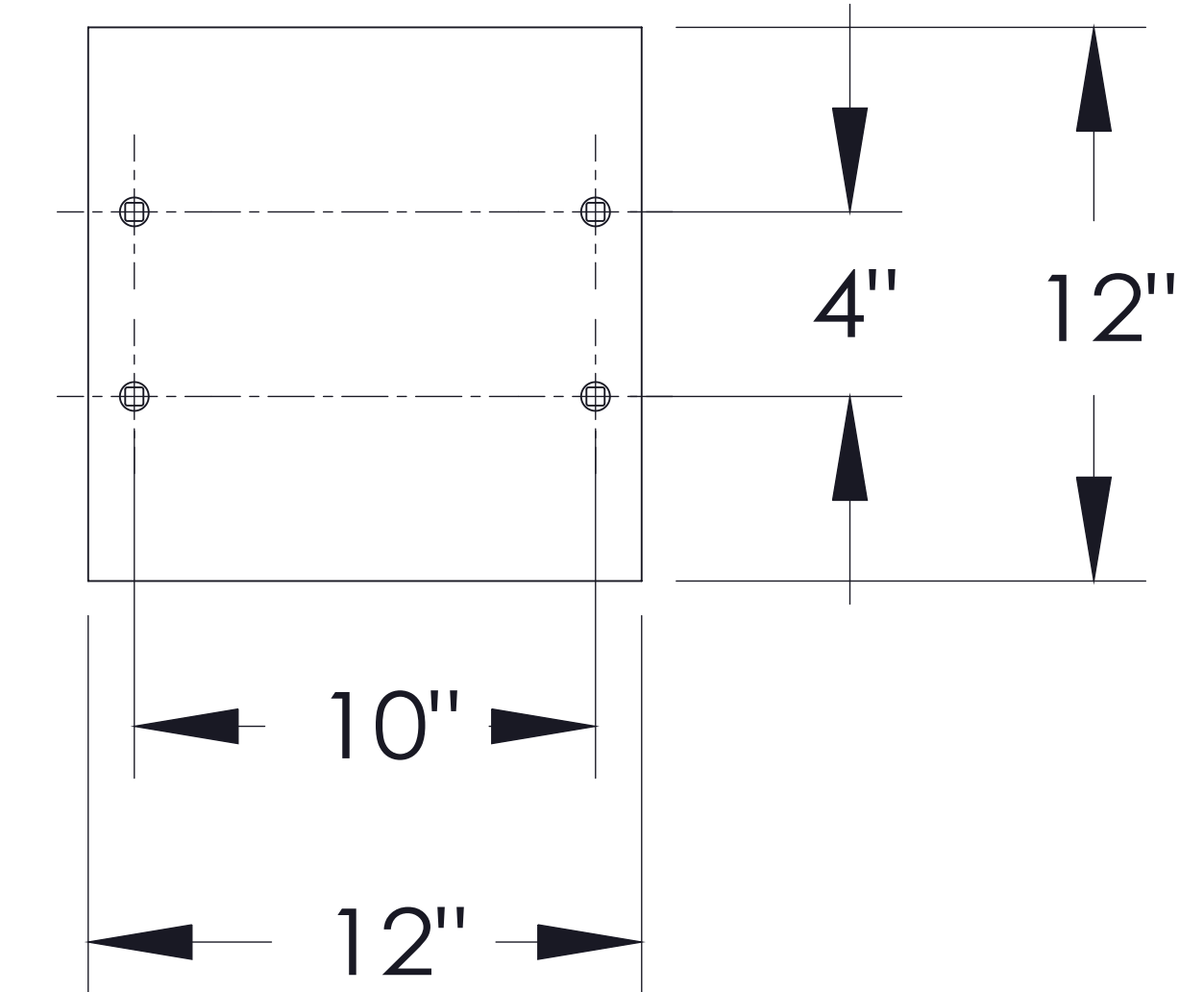
FRONT VIEW



SIDE VIEW



PEDESTAL



PEDESTAL BASE BOLT PATTERN

NOTES:

1. This unit is approved for USPS and private applications.
2. Decorative mailbox accessories sold separately and are USPS Approved products.
3. Pedestal should be installed with included Rubber Pad; mounting hardware not included, refer to installation manual for recommendations.
4. Florence "F" series CBU is Officially Licensed by USPS: License #CDSEQ-08-B-0012.

DOOR CHART

DOOR TYPE	DIMENSION (HEIGHT x WIDTH)
TENANT	3-3/8" x 12-13/16"
10" PARCEL	10-1/4" x 12-13/16"
OUTGOING SLOT	3/4" x 11-3/4"

PRODUCT SERIES: vital™ CLUSTER BOX UNIT

MODEL	1570-12	REV	A
SCALE	NONE	LAST REV DATE	9/26/2012
DRAWING NUMBER	1570-12CS	DRAWN BY	AFD