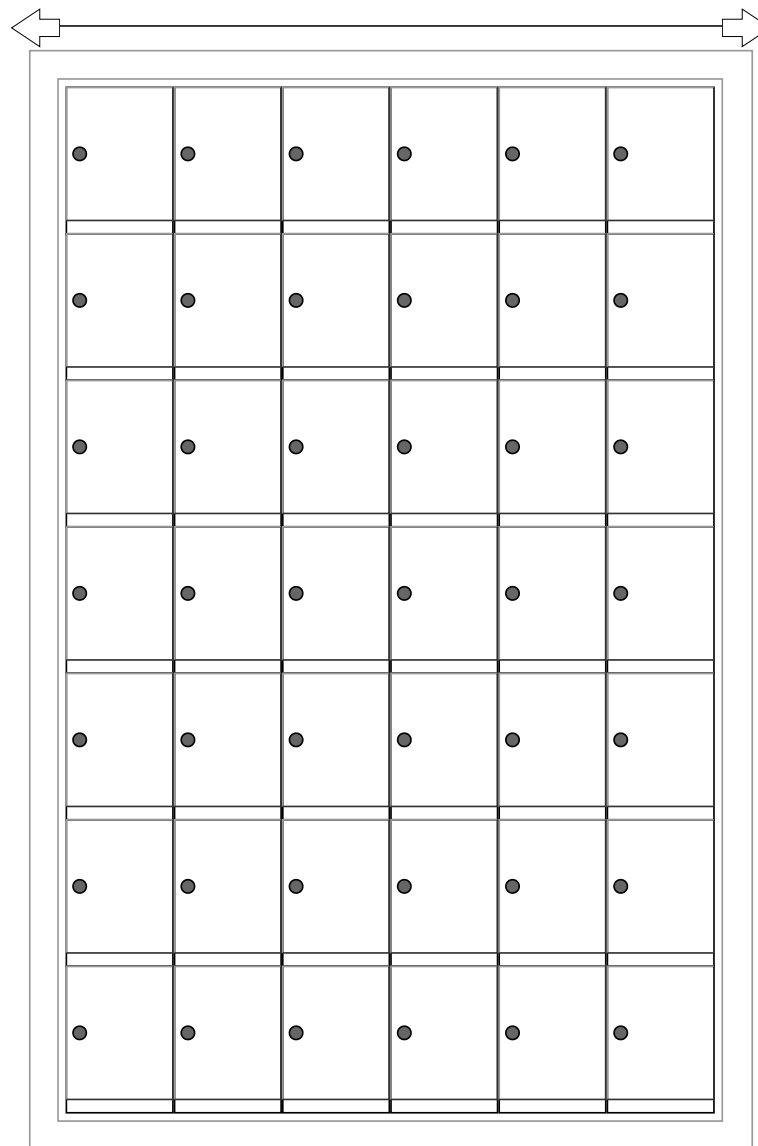


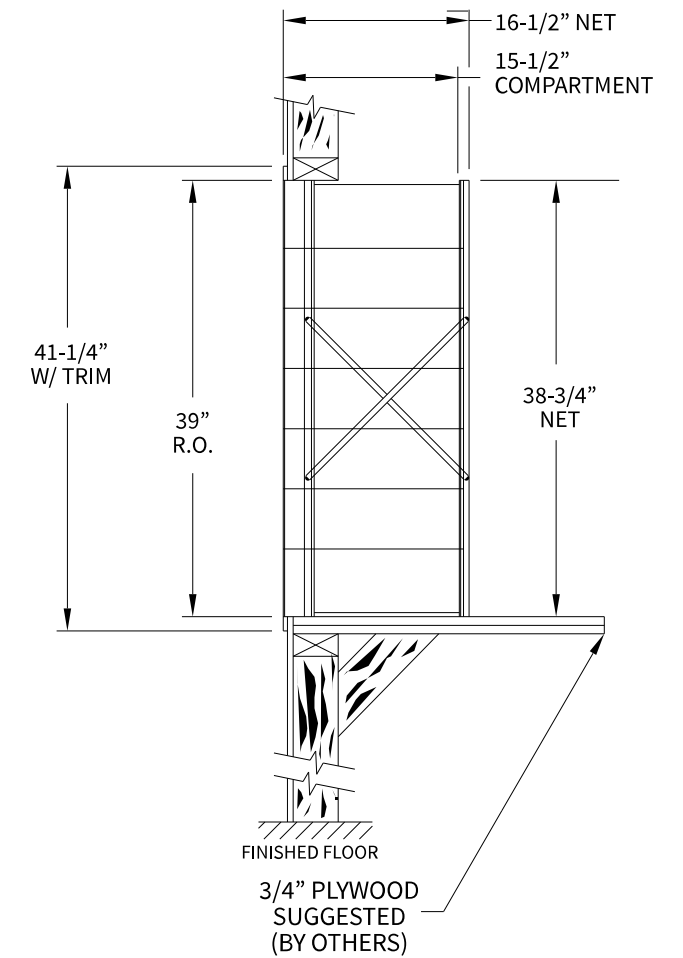
**170076 Dimensions**

Overall Width w/ Trim: 28-7/16"  
(Rough Opening: 26-3/16")



**170076**

**Side View**



**Configuration Details:**

- 1. **Product Type:** 1700 Horizontal
- 2. **Installation:** Rear-load, Recessed Mount
- 3. **Finish:** Anodized Aluminum
- 4. **Locks:** Standard Cam Lock, 2 keys
- 5. **Door Id:** tbd
- 6. **Rear Cover:** tbd

Matching standard snap-on trim included

**Models Used:**

(1) 170076

**Door Sizes Used:**

(42) 1700 1x1 Compartment

**DO NOT SCALE OFF DRAWING**

**ELEVATION:** 170076 | **MAILBOXES:** 42 |

**PROJECT NAME:** 1700 Series Mailbox | **DRAWN BY:** FLORENCE



1743 Quincy Ave. Suite 151  
Naperville, IL 60540  
800-824-9985  
www.MailboxWorks.com

|                             |                     |
|-----------------------------|---------------------|
| <b>DATE:</b> 01-15-2016     | <b>P.O. NO:</b>     |
| <b>SCALE:</b> NONE          | <b>QUOTE NO:</b>    |
| <b>DRAWING NO.</b> WEB-1932 | <b>SHEET 1 OF 1</b> |